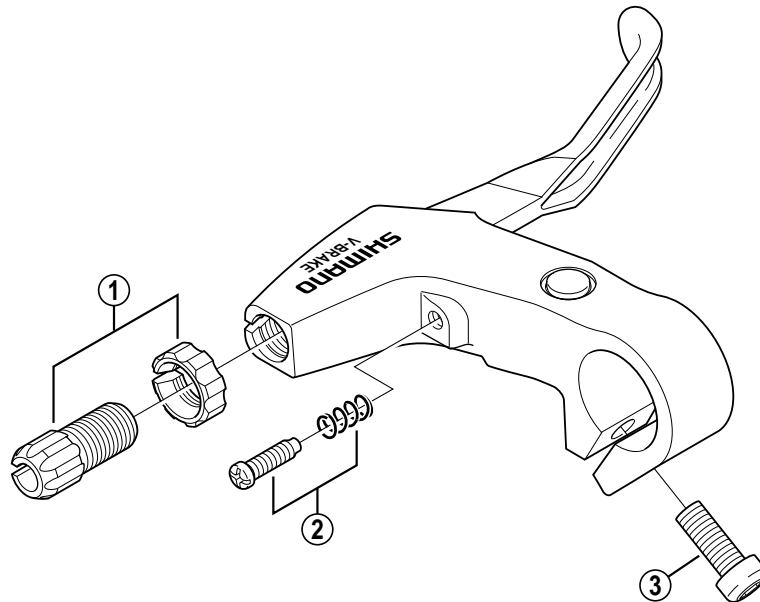


V-BRAKE Brake Lever (2-Finger)

**BL-M420**

**BL-M420-NS**



BL-C600

ITEM NO.	SHIMANO CODE NO.	DESCRIPTION	INTERCHANGEABILITY
* 1	Y-8XW98020	Cable Adjusting Bolt & Nut	
2	Y-8ST 98010	Reach Adjusting Screw (M4 x 14.5) & Spring	A
3	Y-6A7 80000	Clamp Bolt (M6 x 16)	

A: Same parts.

B: Parts are usable, but differ in materials, appearance, finish, size, etc.

Absence of mark indicates non-interchangeability.

0707-1903A

Specifications are subject to change without notice.

**SHIMANO**