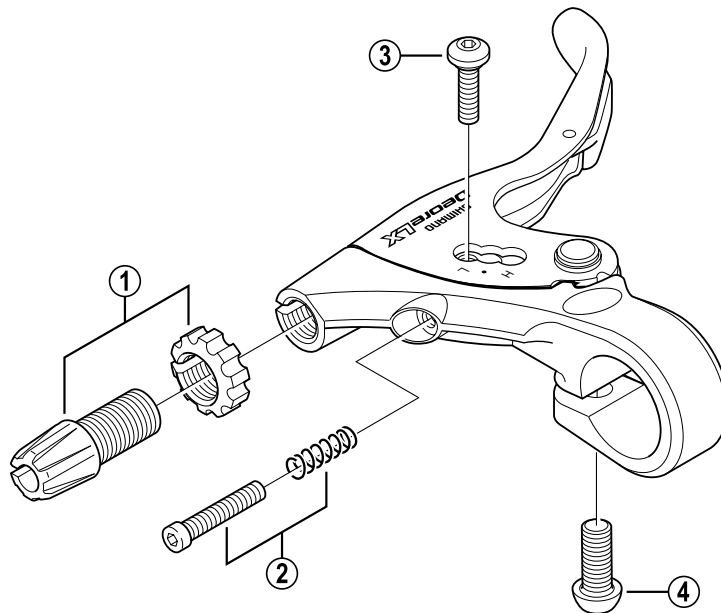


DEORE LX V-BRAKE Brake Lever

**BL-M571** 1.5-Finger



ITEM NO.	SHIMANO CODE NO.	DESCRIPTION
1	<b>Y-8T6 98010</b>	Cable Adjusting Bolt & Nut
2	<b>Y-8SU98010</b>	Reach Adjusting Bolt (M4 x 22) & Spring
3	<b>Y-8TP 11000</b>	Power Adjuster Fixing Bolt
4	<b>Y-8SB 10000</b>	Clamp Bolt (M6 x 14.8)

0506-2487

Specifications are subject to change without notice.

**SHIMANO**