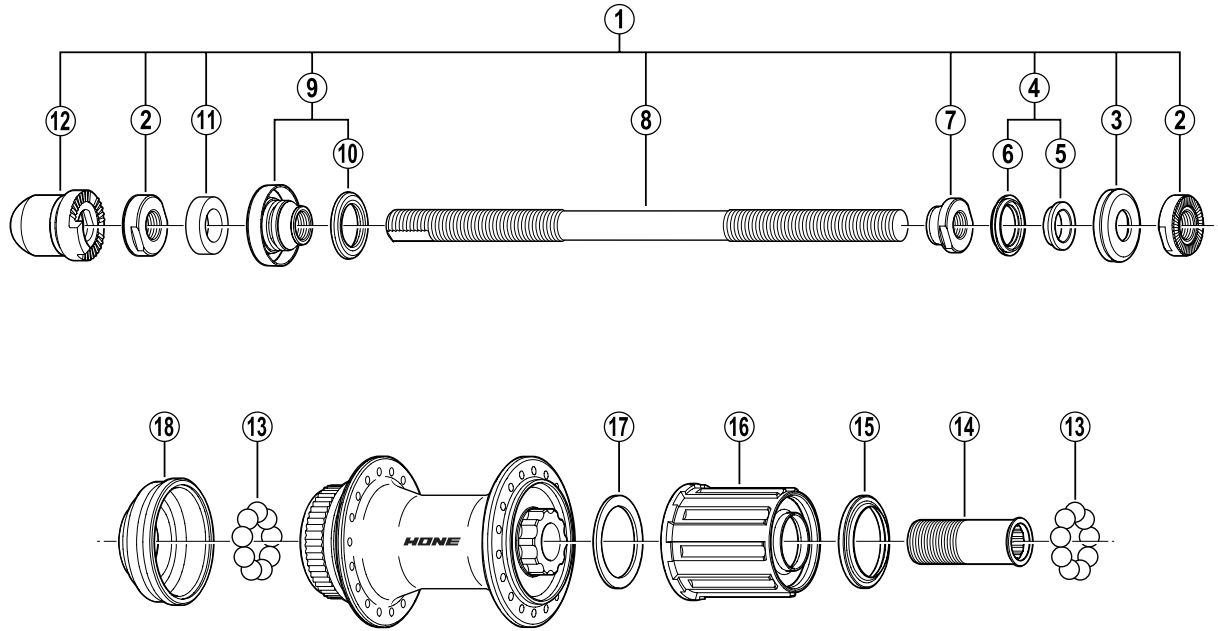


HONE Freehub (8/9-Speed)
FH-M600 For Disc Brake



ITEM NO.	SHIMANO CODE NO.	DESCRIPTION
1	Y-3C8 98020	Complete Hub Axle 186 mm
2	Y-3C8 03000	Serrated Lock Nut 5.5 mm
3	Y-3C7 02000	Right Hand Dust Cap
4	Y-32X 98020	Right Hand Axle Spacer & Seal Ring
5	Y-31V 03000	Right Hand Axle Spacer 3.7 mm
6	Y-214 06000	Right Hand Seal Ring
7	Y-3AE 03100	Right Hand Cone M10 x 9 mm
8	Y-3C8 02000	Hub Axle 186 mm
9	Y-4BB98050	Left Hand Cone (M10 x 16 mm) w/Dust Cover & Seal Ring
10	Y-377 10000	Left Hand Seal Ring
* 11	Y-3C8 08000	Left Hand Axle Spacer 5 mm
12	Y-3C8 98010	Left Hand Nut w/Non Turn Washer
13	Y-000 91310	Steel Ball (1/4") 18 pcs.
14	Y-3BL 03000	Body Fixing Bolt
15	Y-3C7 03000	Sub Unit Rubber Seal
16	Y-3C0 98010	Complete Freewheel Body w/Right Hand Dust Cap
17	Y-375 04000	Freewheel Body Washer
18	Y-24Z 02000	Rotor Mount Cover

Over Lock Nut Dimension: 135 mm (5-5/16")

0408-2342A

Specifications are subject to change without notice.

SHIMANO