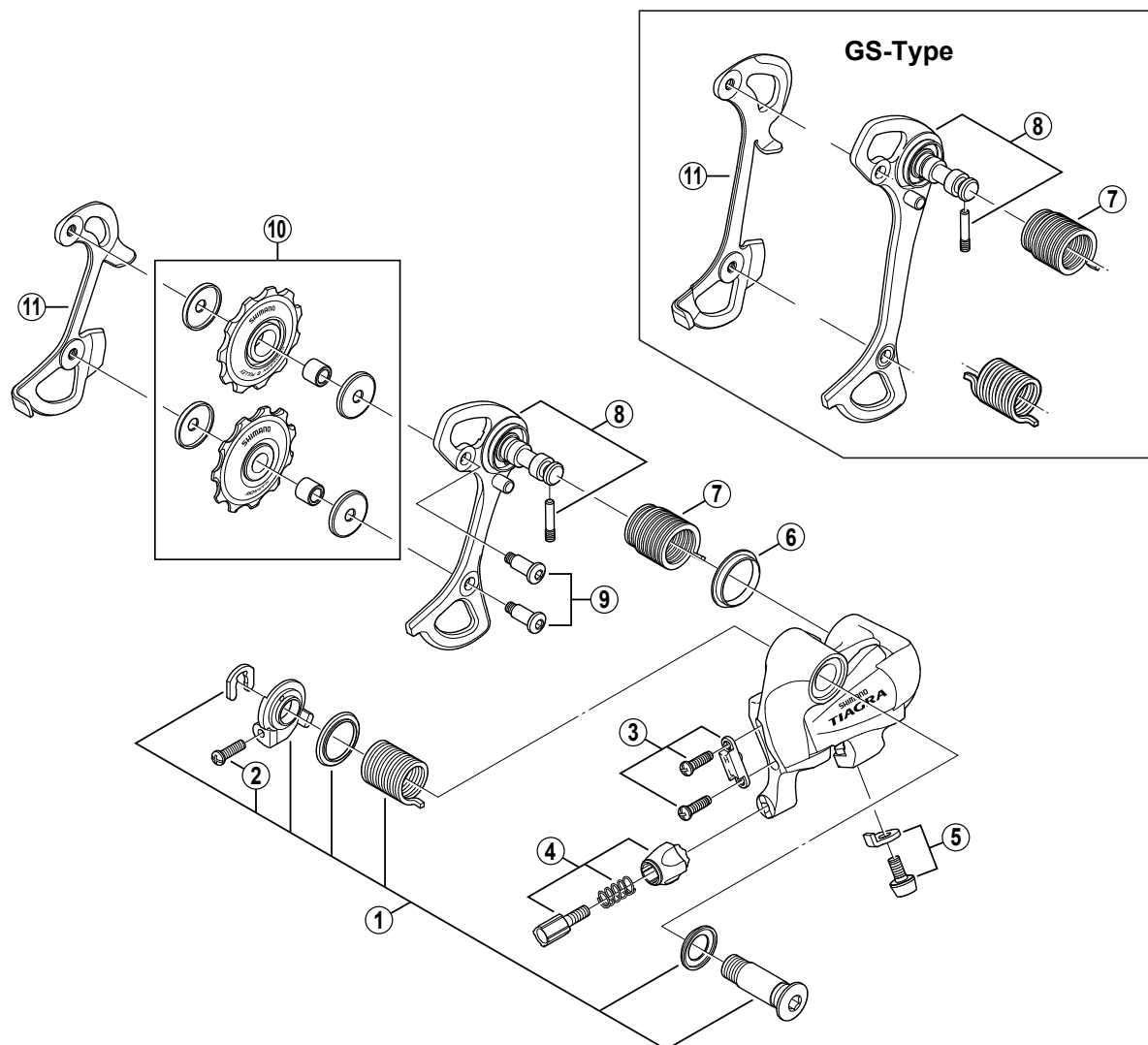


TIAGRA Rear Derailleur (9-Speed)

RD-4500-SS Short Cage

RD-4500-GS Long Cage



RD-4400
RD-5600

ITEM NO.	SHIMANO CODE NO.	DESCRIPTION	INTERCHANGEABILITY	
			A	B
1	Y-5VX 98010	B-Axle Assembly (SS-Type)		
	Y-5VX 98020	B-Axle Assembly (GS-Type)		
2	Y-556 25030	B-Tension Adjusting Screw (M4 x 12)	A	B
3	Y-5VA 98020	Stroke Adjusting Screws (M4 x 11.5) & Plate		A
4	Y-5VN 98030	Cable Adjusting Bolt Unit		A
5	Y-5VN 98040	Cable Fixing Bolt (M5 x 8.5) & Plate	B	A
6	Y-5UC 14000	P-Seal Ring	A	A
7	Y-5VX 16000	P-Tension Spring (SS-Type)		
	Y-5VX 18000	P-Tension Spring (GS-Type)		
8	Y-5VX 98030	Outer Plate Assembly (SS-Type)		
	Y-5VX 98040	Outer Plate Assembly (GS-Type)		
9	Y-5VX 98070	Pulley Bolt (M5 x 13.35) 2 pcs.		
10	Y-5TT 98020	Tension & Guide Pulley Set	A	B
	Y-5VX 08000	Inner Plate (SS-Type)		
11	Y-5VX 09000	Inner Plate (GS-Type)		

A: Same parts.

B: Parts are usable, but differ in materials, appearance, finish, size, etc.

Absence of mark indicates non-interchangeability.

0607-2588

Specifications are subject to change without notice.

SHIMANO