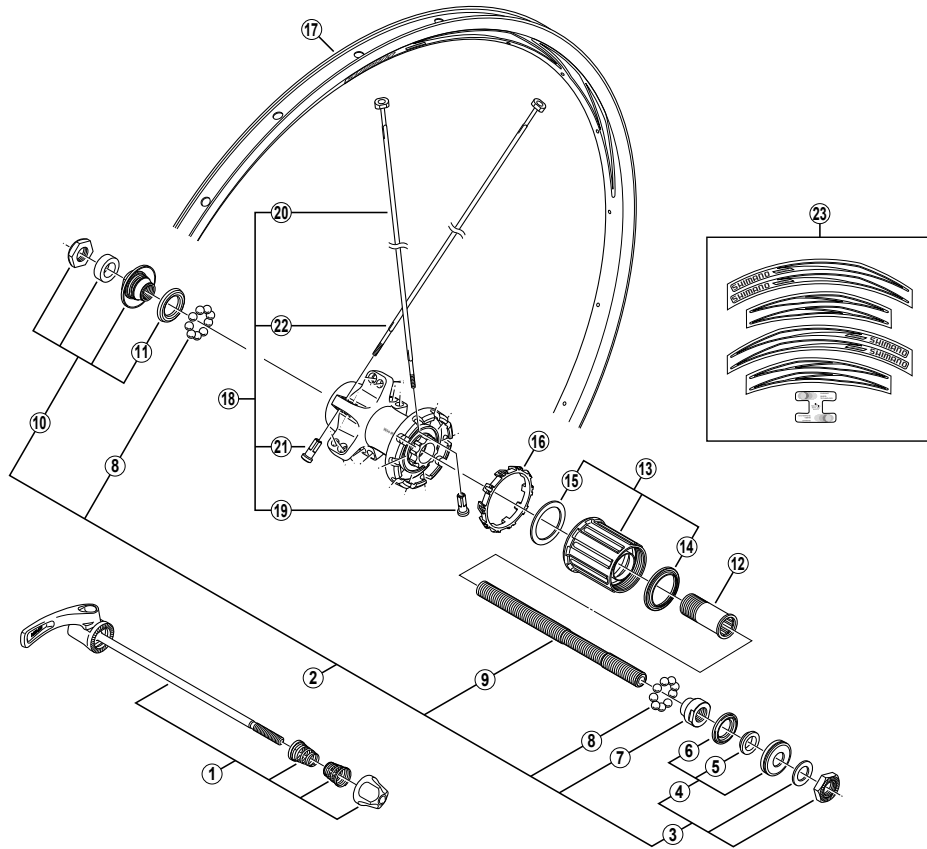


Rear Wheel

WH-R550-650C-R 8/9-Speed



• Over Lock Nut Dimension: 130 mm (5-1/8")

ITEM NO.	SHIMANO CODE NO.	DESCRIPTION	INTERCHANGEABILITY
1	Y-3AV 90130	Complete Quick Release 163 mm (6-13/32")	A
2	Y-4C4 98050	Complete Hub Axle 141 mm (5-9/16")	A
3	Y-4C4 98060	Right Hand Lock Nut Unit	A
4	Y-3CJ 98040	Right Hand Dust Cap Unit	A
5	Y-31V 03000	Right Hand Axle Spacer 3.7 mm	A
6	Y-214 06000	Right Hand Seal Ring	A
7	Y-3BH 02100	Right Hand Cone M10 x 12.7 mm	A
8	Y-000 91310	Steel Ball (1/4") 18 pcs.	A
9	Y-30K 01100	Hub Axle 141 mm (5-9/16")	A
10	Y-4C4 98070	Left Hand Lock Nut Unit	A
11	Y-377 10000	Left Hand Seal Ring	A
12	Y-359 04000	Body Fixing Bolt	A
13	Y-4C4 98090	Complete Freewheel Body	A
14	Y-3C7 03000	Sub Unit Rubber Seal	A
15	Y-375 04000	Freewheel Body Washer	A
16	Y-4BE 02000	Hub Body Cap	A
17	E-WHRIMPREBC6R	Rim {20H / Black / Anodized / Clincher / Rim Sticker: Red}	
	E-WHRIMPREBC6M	Rim {20H / Black / Anodized / Clincher / Rim Sticker: Monotone}	
18	E-WHSPOKE1MB1	Spoke Unit {Spoke (250 mm x 10 pcs. & 274 mm x 10 pcs.) / Spoke Washer (20 pcs.) / Right Hand Nipple (10 pcs.) / Left Hand Nipple (10 pcs.)}	
19	Y-012 Z4200	Right Hand Nipple	A
20	Y-4D4 98080	Right Hand Spoke (250 mm) w/Washer	
21	Y-4A0 03000	Left Hand Nipple	A
22	Y-4D4 98090	Left Hand Spoke (274 mm) w/Washer	
23	Y-4D4 98050	Rim Sticker Unit (Red)	
	Y-4D4 98060	Rim Sticker Unit (Monotone)	

A: Same parts.

B: Parts are usable, but differ in materials, appearance, finish, size, etc.

Absence of mark indicates non-interchangeability.

WH-R550

0607-2575

Specifications are subject to change without notice.

SHIMANO