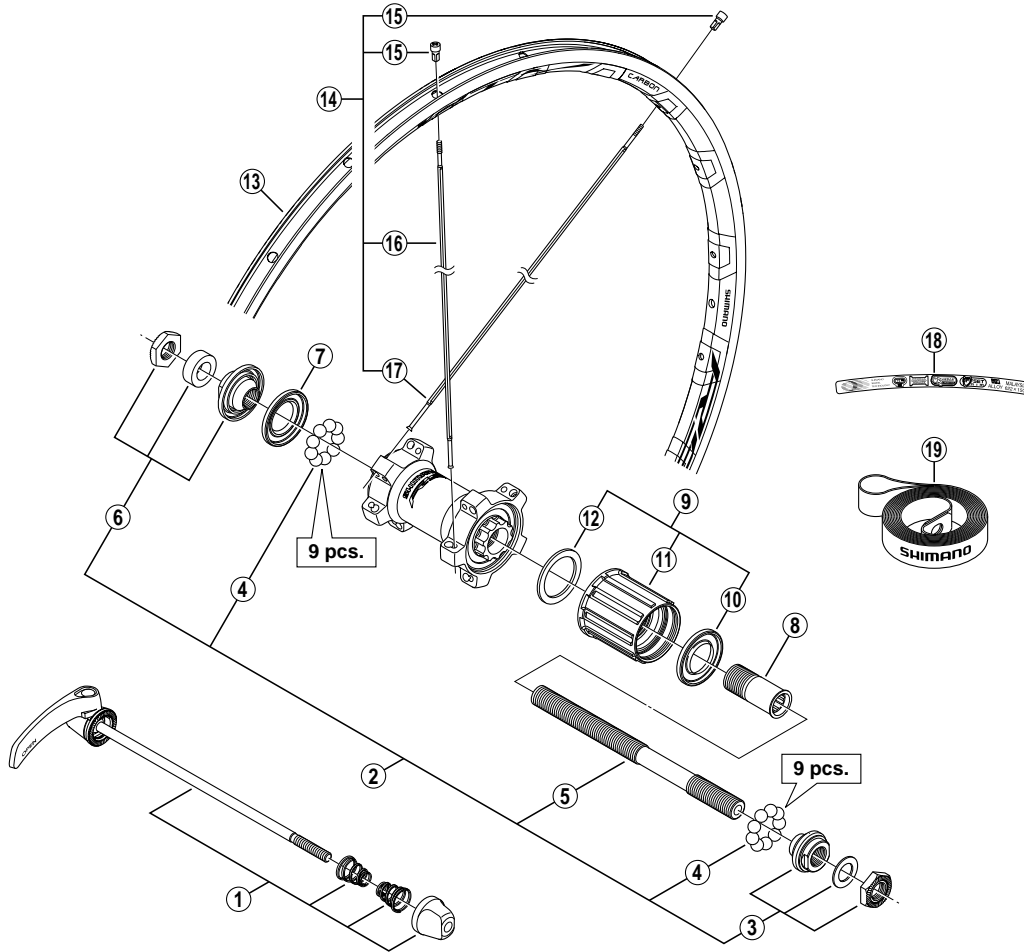


Rear Wheel WH-RS80-C24-CL-R 8/9/10-Speed



• Over Lock Nut Dimension: 130 mm (5-1/8")

ITEM NO.	SHIMANO CODE NO.	DESCRIPTION	INTERCHANGEABILITY	
			WH-RS30	WH-RS20
1	Y-4F8 98040	Complete Quick Release 163 mm (6-13/32")	B	B
2	Y-4EW98070	Complete Hub Axle 141 mm (5-9/16")	A	A
3	Y-4EW98080	Right Hand Lock Nut Unit	A	A
4	Y-000 91310	Steel Ball (1/4") 18 pcs.	A	A
5	Y-30K 01100	Hub Axle 141 mm (5-9/16")	A	A
6	Y-4EW98100	Left Hand Lock Nut Unit	A	A
7	Y-3CR 09000	Left Hand Seal Ring	A	A
8	Y-359 04000	Body Fixing Bolt	A	A
9	Y-4DV 98110	Complete Freewheel Body	A	A
10	Y-3CR 08000	Right Hand Seal Ring	A	A
11	Y-4DV 98120	Freewheel Body Unit	A	A
12	Y-375 04000	Freewheel Body Washer	A	A
13	E-WHRIM2ARECC	Rim (20H)		
14	E-WHSPOKE2BB1	Spoke Unit (Spoke (302 mm x 10 pcs. & 302 mm x 10 pcs.) / Nipple (20 pcs.))		B
* 15	Y-012 Z4076	Nipple (Red)	A	B
16	Y-012 AD023	Right Hand Spoke (302 mm)		A
17	Y-012 AG023	Left Hand Spoke (302 mm)		B
18	Y-4F8 13000	Icon Sticker		
19	E-WHRIMTAPERA	Rim Tape	A	A

A: Same parts.

B: Parts are usable, but differ in materials, appearance, finish, size, etc.

Absence of mark indicates non-interchangeability.

Jan.-2010-2894A
© Shimano Inc. I

Specifications are subject to change without notice.

SHIMANO