







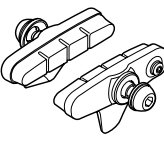




Brake Shoes for Road

Always use Shimano brake pads to assure top performance for your Shimano brake system.

<p>① R55C3</p> 	<p>② R55C2</p> 	<p>③ R55C+1</p> 	<p>④ R55C2</p> 
<p>Fits: BR-7900</p>	<p>Fits: BR-7800</p>	<p>Fits: BR-7700</p>	<p>Fits: BR-6600</p>
<p>⑤ R55C</p> 	<p>⑥ R55C2</p> 	<p>⑦ R55C</p> 	<p>⑧ R55C+1</p> 
<p>Fits: BR-6500</p>	<p>Fits: BR-5600 BR-R650</p>	<p>Fits: BR-5501 BR-5500</p>	<p>Fits: BR-R600</p>
<p>⑨ R55C2</p> 	<p>⑩</p> <p>R55C2 R55C R55C+1</p> <p>R55C for Carbon Rim</p> <p>R55C for Ceramic Rim</p> <hr/> <p>Fits: BR-7900 BR-7800 BR-7700 BR-6600 BR-6500 BR-5600 BR-5501 BR-5500 BR-R600 BR-R650</p> 		
<p>Fits: BR-R560 BR-R450</p>			

⑪



Fits: BR-6403 BR-1055
BR-A550

⑫ **R50T**



Fits: BR-1055 BR-A550
BR-4400 BR-3300

⑬ **M50T**




Fits: BR-1055 BR-A550 BR-A416
BR-A410 BR-4400 BR-3300

⑭



Fits: BR-A500 BR-A450
BR-A350 BR-A250

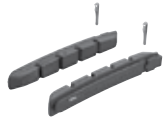
⑮ **R55C**



For V-BRAKE Brake

Fits: BR-F700

⑯



S70C (Severe Condition)

M70R2 (Severe Condition)

M70CT4 (Severe Condition)

For Cantilever Brake

Fits: BR-R550

■ Brake shoe characteristics

	Cartridge shoe	M SYSTEM	Length	Brake shoe characteristics
R55C3	○	—	55 mm	Performs well in dry and wet conditions. Double stopping power and durability in wet conditions vs. R55C2
R55C2	○	—	55 mm	Performs well in dry conditions and tends to be low noise. Highly resistant to wear in rainy conditions.
R55C +1	○	—	55 mm	* 1 mm thicker shoe with R55C
R55C	○	—	55 mm	Performs well in dry conditions and tends to be low noise. Wear in rainy conditions.
R55C for Carbon rim	○	—	55 mm	For Carbon rim
R55C for Ceramic rim	○	○	55 mm	For Ceramic rim only
M50T	—	○	50 mm	Performs well in wet conditions. But faster rim wear.
R50T	—	—	50 mm	Performs well in dry conditions and tends to be low noise. Wears in rainy conditions.
R50T2	—	—	50 mm	Performs well in dry conditions and tends to be low noise. Wears in rainy conditions. Toe-in adjust design.